

8 REASONS WHY SEVERIT

SEVERIT is designed to maximize work efficiency, not only on the field.



ONE MACHINE THAT COVERS THREE

SEVERIT can level the land, crush clods and prepare a precise seedbed in a single pass.

UNIVERSAL USE

The machine is ideal for seedbed preparation after plowing and for minimum tillage cultivation.

SAVES LAND AND COSTS

Fewer passes mean less soil compaction, resulting in higher fertility and lower fuel consumption and you also don't spend on additional machines.

EASY AND CONVENIENT CONTROL

Thanks to the hydraulic circuits, the machine can be easily folded into the working position and the stiffness of the flexible shear can be adjusted. With the machine's premium equipment, the working depth of the coulters can also be adjusted hydraulically.

DURABLE AND RELIABLE CONSTRUCTION

High-strength materials and quality components ensure a long service life of the machine.

PRECISE SOIL CULTIVATION

Thanks to its robust construction, SEVERIT can work efficiently and quickly even in heavy or slightly moist soils.

OPTIONS FOR ALL SOIL TYPES AND CONDITIONS

With a wide range of accessories, SEVERIT can be adapted to the needs of every farmer.

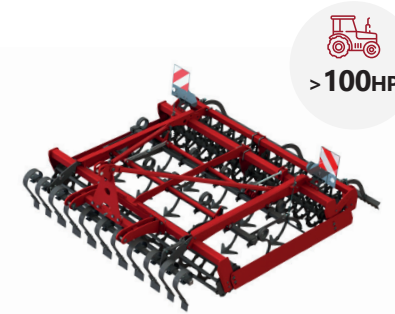
HIGH PRODUCTIVITY

Wide working widths and the possibility of fitting up to 8 working units allow you to process large areas of land quickly and efficiently, which saves time and increases daily performance.



WIDE RANGE OF WORKING WIDTHS AND CULTIVATOR DESIGN

The SEVERIT cultivator offers a wide range of working widths from 3 to 12 meters to meet all farmers' requirements. This means that it will suit both smaller farms using lower-power tractors and large cooperatives requiring high daily output.



SEVERIT 300

Single, rigid frame
Mounted machine

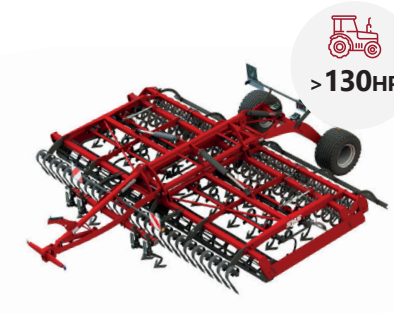
Transport dimensions (w | l | h)
300 | 285-372 | 145 cm



SEVERIT 400 H

Two-part frame, hydr. foldable
Mounted machine

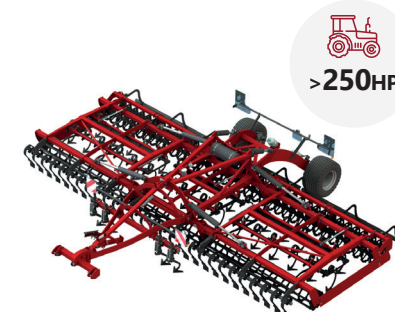
Transport dimensions (w | l | h)
300 | 310-400 | 215 cm



SEVERIT 400-600

Two-part frame, hydr. foldable
Trailed machine

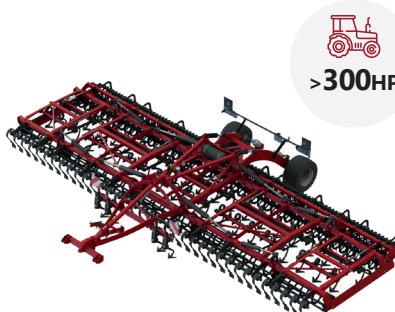
Transport dimensions (w | l | h)
300 (255) | 595-650 | 270-365 cm



SEVERIT 800

Three-part frame,
hydraulically foldable
Trailed machine

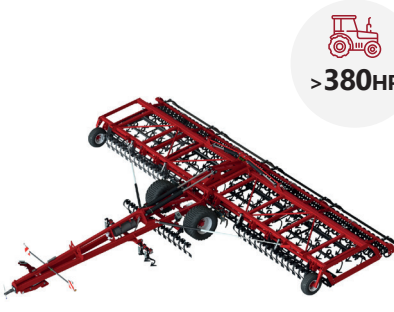
Transport dimensions (w | l | h)
300 | 700 | 400 cm



SEVERIT 1000

Five-part frame,
hydraulically foldable
Trailed machine

Transport dimensions (w | l | h)
300 | 700 | 375 cm



SEVERIT 1200 G

Four-part frame,
hydraulically foldable
Trailed machine on G frame

Transport dimensions (w | l | h)
300 | 850 | 400 cm



f @smscz.machinery
@smscz_machinery

WWW.SMSCZ.CZ

SMS CZ s. r. o. | U Saské brány 12, Rokycany, 337 01
smscz@smscz.cz | +420 371 722 137



SEEDBED COMPACTOR SEVERIT

Precise field preparation
for high fertility



WWW.SMSCZ.CZ



UP TO EIGHT WORK OPERATIONS IN ONE PASS



Type
mounted/trailed



Working width
3 to 12m



Working speed
8-14 km/h



Working depth
up to 15 cm



Use
seedbed preparation



EU homologation

The SEVERIT cultivator is an ideal machine for seedbed preparation, characterized by versatility and high efficiency. Thanks to the combination of up to eight different working units, it can not only level the surface of the land and break up clods in one pass over, but also prepare a perfect seedbed. It is suitable for classic agrotechnics after plowing and for minimization technologies during shallow soil cultivation. To ensure optimal results, it is important that plant residues are incorporated to a depth of at least 5 cm and have the smallest possible size.



BENEFITS AND APPLICATIONS

- Excellent terrain leveling thanks to several crossboard sections
- Restoration of the water regime in the soil profile
- Breaking up clods and creating a homogeneous structure soil profile
- Aeration and heat supply of the upper layer, suitable especially during spring preparations
- Working at high speeds – brings time savings and better crumbling at high peripheral speed
- Creating a flat seedbed – ensures perfect crop emergence
- Can be applied after plowing and in minimization technologies

TECHNICAL SPECIFICATION

1 TRACK CLEANER

- loosens compacted soil behind the tractor wheels
- the surface is evenly loosened throughout the entire width

2 LEVELING SECTION

LEVELING BAR

- mechanically adjustable
- for primary leveling of the largest soil irregularities

SPRUNG CROSSBOARD

- hydraulically adjustable
- excellent crumbling and leveling effect

3 1ST ROLLER

BAR ROLLER

- ø 440 mm
- suitable for normal conditions

5 LEVELLING BOARD BEHIND TINES

- Directing the flow of topsoil under the roller using a screen prevents the second roller from becoming clogged with soil.
- Improving the crumbling effect of the second roller.

7 REAR LEVELLING BOARD

- The last working unit, perfectly levels the field and completes the seedbed preparation

6 REAR PACKER

BAR PACKER

- ø 440 mm
- suitable for normal conditions



CROSSKILL PACKER

- ø 440 mm
- excellent crumbling and firming effect
- ductile iron GGG50

DOUBLE CROSSKILL PACKER

- ø 440 mm
- self-cleaning effect with high friability
- ductile iron GGG50

4 TINE SECTION

ARROW SHAPE SHARES (2 ROWS)

share width: 270 mm, working depth: 2-12 cm

- for complete undercutting and loosening across the entire width of the machine
- seedbed preparation
- maintenance-free S25 mm tines with the possibility of swinging in the driving direction or sideways

OPTIONAL EQUIPMENT

Long Life EXTREME

- carbide coating

Long Life DURAFACE

- carbide plates

CHISEL TINES (3 ROWS)

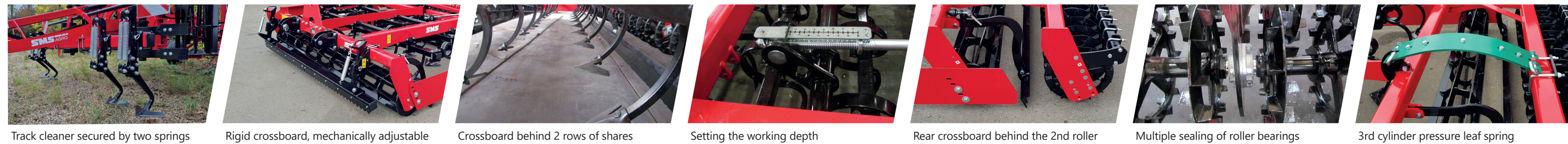
chisel width: 45 mm, working depth: 4 - 20 cm

- suitable for spring preparation (under corn)
- aeration and warming of the soil
- starting the growth of spring plants
- does not bring wet particles to the surface
- moisture retention

CRUMBLING ROLLER

CROSSKILL CRUMBLER

- ø 440 mm
- ductile iron GGG50
- excellent crumbling and firming effect
- additional load on the 3rd roller using leaf springs



SEVERIT	300	400 H	400	500	600	800	1000	1200 G	
Type	Mounted, rigid frame	Mounted, hydr. foldable	Trailed, hydraulically foldable						
Working width [cm]	300	400	400	500	600	800	1 000	1 200	
Min. power [kW/HP]	75/100	100/130	100/130	120/160	140/190	185/250	225/300	280/380	
Weight* [kg]	1 050 - 2 300	1 650 - 3 300	2 200 - 4 300	2 500 - 4 800	2 800 - 5 700	3 900 - 7 600	4 900 - 9 400	7 600 - 11 300	
Number of shares	12	16	16	20	23	31	40	48	
Number of chisels	26	35	35	44	52	70	88	106	
Transport wheels	-	-	400/60-15,5			19,0/45-17			550/45-22,5
Brakes	-	-	Unbraked			Unbraked/braked		Braked	
Hitch category	CAT. 3		CAT. 3N - 3 - 4N - 4			CAT. 3 - 4		Eye 41, 51, 71, K80	

* Weight according to machine specification